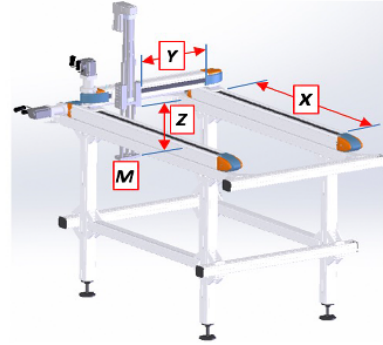
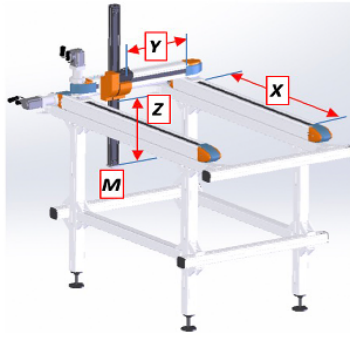


Gantry

Company	
Compiled by	
Date	



X, Y, Z coarse utili

Step	Axis	Description	δs [mm]	δt_i [sec]	M [kg]	δt_{TOT} [sec]
1	X					
	Y					
	Z					
2	X					
	Y					
	Z					
3	X					
	Y					
	Z					
4	X					
	Y					
	Z					
5	X					
	Y					
	Z					
6	X					
	Y					
	Z					
7	X					
	Y					
	Z					
8	X					
	Y					
	Z					
9	X					
	Y					
	Z					
10	X					
	Y					
	Z					